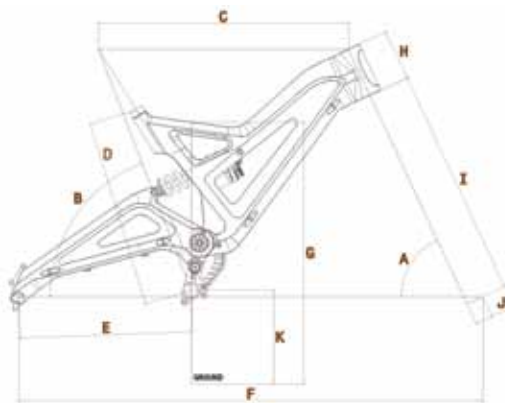
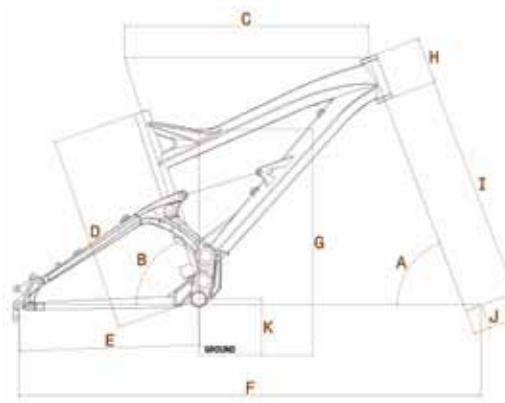


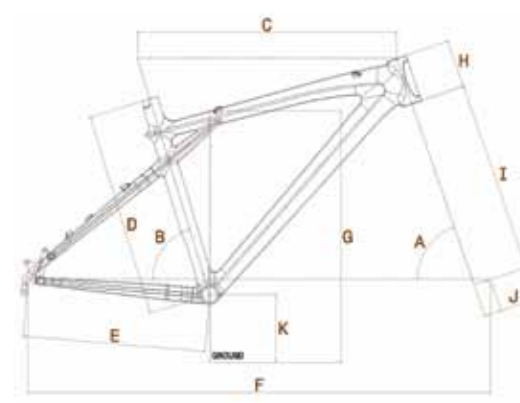
# GEOMETRY



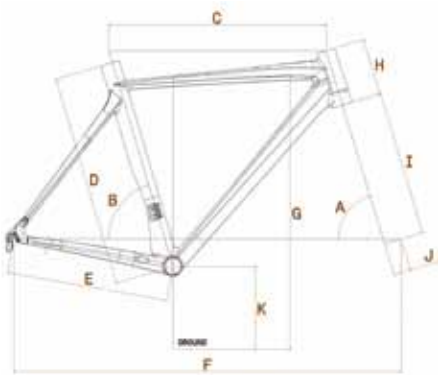
FURY TEAM



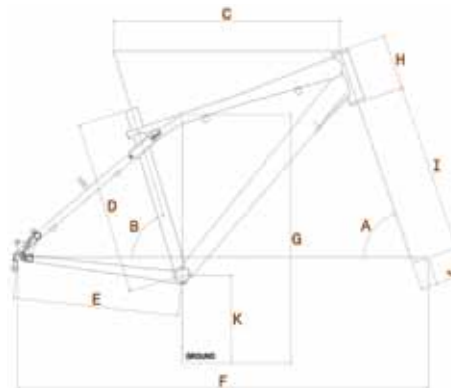
FORCE CARBON / ALLOY



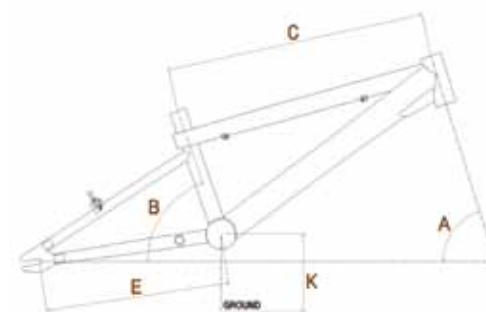
ZASKAR / KARAKORAM / AVALANCHE / AGGRESSOR



ROAD CARBON / ALLOY



URBAN



BMX

# GEOMETRY

	(D)	(C)	(G)	(A)	(B)	(E)	(H)	(K)	(J)	(F)		FC
SIZE	SEAT TUBE LENGTH (MM)	HORIZ. TOP TUBE LENGTH (MM)	STAND OVER HEIGHT (MM)	HEAD ANGLE°	SEAT ANGLE°	CHAIN STAY LENGTH (MM)	HEAD TUBE LENGTH (MM)	BOTTOM BRACKET HEIGHT (MM)	FORK OFFSET (RAKE) (MM)	WHEEL BASE (MM)	DROP	
<b>MTN / GRAVITY</b>												
FURY CARBON TEAM												
S	449.9	579.96	734.7	65	69.0	438.0	110	356.0	44	1122.77	-16	685.2
M	460.6	610.03	739.7	65	69.0	438.0	120	356.0	44	1153.57	-16	716.0
L	481.8	635.01	752.2	65	69.0	438.0	130	356.0	44	1179.34	-16	741.8
FURY ALLOY 2.0												
S	425.0	570.00	734.7	63.5	69.0	430.0	130	352.0	42	1122.77	-12	691.0
M	435.0	595.00	739.7	63.5	69.0	430.0	130	352.0	42	1153.57	-12	716.0
L	445.0	610.00	752.2	63.5	69.0	430.0	130	352.0	42	1179.34	-12	731.0
RUCKUS DJ 1.0												
U	320.0	598.85	614.1	70	71.0	399.0	114	303.0	44.5	1043.21	30	646.0
<b>MTN / ENDURO</b>												
SANCTION 1.0 / 2.0												
XS	433.1	560.00	710.6	66	71.8	430.8	100	354.0	40	1104.62	-14	674.2
S	443.1	575.02	713.7	66	71.7	430.8	110	354.0	40	1120.37	-14	689.9
M	468.1	594.99	728.3	66	71.7	430.8	120	354.0	40	1141.16	-14	710.7
L	483.1	610.00	740.2	66	71.7	430.8	130	354.0	40	1156.88	-14	726.5
XL	508.3	639.99	760.8	66	71.6	430.8	150	354.0	40	1188.36	-14	757.9
DISTORTION 2.0 / 3.0												
M	402.3	580.00	717.6	66.5	73.0	432.9	120	350.0	40	1137.70	-10.0	705.0
L	452.3	600.00	732.3	66.5	73.0	432.9	120	350.0	40	1157.74	-10.0	725.0
LA BOMBA												
S	310.0	565.78	610.0	68	73.5	410.0	115	308.0	41	1068.88	25	660.1
M	310.0	592.58	607.1	68	73.5	410.0	115	308.0	41	1095.68	25	686.9
<b>MTN / ALL MOUNTAIN</b>												
FORCE CARBON SPORT												
XS	437.3	549.99	705.2	69	72.7	433.3	105	345.3	40	1070.00	-12.3	637.0
S	447.3	564.98	702.5	69	72.7	433.3	105	345.3	40	1084.97	-12.3	652.0
M	472.3	585.03	713.1	69	72.7	433.3	115	345.3	40	1105.50	-12.3	672.5
L	487.3	599.97	729.9	69	72.6	433.3	130	345.3	40	1121.33	-12.3	688.3
XL	512.3	629.99	750.7	69	72.6	433.3	150	345.3	40	1152.46	-12.3	719.4
FORCE 1.0 / 2.0 / 3.0												
XS	433.2	550.01	700.2	69	72.9	430.8	100	347.0	40	1070.19	-14	639.7
S	443.2	565.01	702.6	69	72.9	430.8	100	347.0	40	1085.19	-14	654.7
M	468.1	584.97	718.2	69	72.9	430.8	110	347.0	40	1105.84	-14	675.4
L	483.2	599.99	732.2	69	72.9	430.8	130	347.0	40	1121.87	-14	691.4
XL	508.1	630.00	752.9	69	72.8	430.8	150	347.0	40	1152.94	-14	722.5
<b>MTN / TRAIL</b>												
SENSOR 9R PRO / EXPERT / ELITE												
M	484.9	577.46	769.1	69.5	74.7	455.0	120	330.0	44	1129.36	30	676.0
L	507.7	604.10	789.4	69.5	74.6	455.0	140	330.0	44	1155.97	30	702.6
XL	557.4	630.32	829.1	69.5	74.5	455.0	155	330.0	44	1182.12	30	728.7

# GEOMETRY

	SIZE	(D) SEAT TUBE LENGTH (MM)	(C) HORIZ. TOP TUBE LENGTH (MM)	(G) STAND OVER HEIGHT (MM)	(A) HEAD ANGLE°	(B) SEAT ANGLE°	(E) CHAIN STAY LENGTH (MM)	(H) HEAD TUBE LENGTH (MM)	(K) BOTTOM BRACKET HEIGHT (MM)	(J) FORK OFFSET (RAKE) (MM)	(F) WHEEL BASE (MM)	DROP	FC
<b>MTN / TRAIL</b>													
<b>KARAKORAM</b>													
1.0 / 2.0 / 3.0 / 4.0													
	S	420.0	583.63	734.1	70.5	73.5	445.0	110	315.0	45	1087.10	58	648.5
	M	471.0	603.37	772.2	71	73.0	445.0	110	315.0	45	1095.03	58	656.4
	L	507.0	622.54	801.8	71	73.0	445.0	110	315.0	45	1114.51	58	675.8
	XL	545.0	641.53	832.5	71	72.5	445.0	120	315.0	45	1127.98	58	689.2
<b>AVALANCHE</b>													
1.0 / 2.0 / 3.0 / 4.0													
	XS	368.0	520.00	736.6	70.5	73.0	420.0	100	301.0	39	994.70	35	576.2
	S	407.0	540.00	759.3	70.5	73.0	420.0	110	301.0	39	1015.20	35	596.6
	M	445.0	571.00	781.5	70.5	73.0	420.0	120	301.0	39	1046.60	35	628.1
	L	483.0	592.00	803.9	70.5	73.0	420.0	130	301.0	39	1068.10	35	649.5
	XL	521.0	610.00	831.1	70.5	73.0	420.0	150	301.0	39	1087.00	35	668.5
	XXL	559.0	620.00	853.5	70.5	73.0	420.0	160	301.0	39	1097.00	35	678.9
<b>AGGRESSOR 26"</b>													
1.0 / 2.0 / 3.0													
	XS	383.9	527.63	664.4	71	73.5	420.0	100	298.0	41	1001.46	35	584.0
	S	415.6	545.91	693.3	71	73.5	420.0	115	298.0	41	1020.17	35	602.6
	M	466.4	576.63	735.0	71	73.5	420.0	130	298.0	41	1051.36	35	633.8
	L	504.5	594.97	767.8	71	73.5	420.0	145	298.0	41	1070.42	35	652.8
	XL	542.6	618.04	799.4	71	73.5	420.0	160	298.0	41	1094.11	35	676.5
<b>PALOMAR</b>													
(TRADITIONAL)													
	S	415.6	545.91	693.3	71	73.5	420.0	115	298.0	41	1020.17	35	602.6
	M	466.4	576.63	735.0	71	73.5	420.0	130	298.0	41	1051.36	35	633.8
	L	504.5	594.97	767.8	71	73.5	420.0	145	298.0	41	1070.42	35	652.8
	XL	542.6	618.04	799.4	71	73.5	420.0	160	298.0	41	1094.11	35	676.5
<b>PALOMAR</b>													
(STEP-THROUGH)													
	S	356.0	530.00	591.3	70	74.0	436.0	100	300.0	45	1034.64	40	601.8
	M	407.0	542.28	592.8	70	74.0	436.0	115	300.0	45	1047.98	40	615.1
<b>X/C RACE</b>													
<b>ZASKAR 100 9R CARBON</b>													
PRO / EXPERT													
	M	457.0	578.00	807.7	69.5	73.5	453.0	122.5	327.0	45	1110.03	40	660.02
	L	500.0	603.00	838.8	69.5	73.5	453.0	142.5	327.0	45	1136.49	40	686.43
	XL	550.0	628.00	872.6	69.5	73.5	453.0	157.5	327.0	45	1162.58	40	712.47
<b>ZASKAR 100 CARBON</b>													
EXPERT													
	XS	370.0	555.00	718.2	69.5	73.5	428.0	102.5	325.0	39	1062.2	-10	634.4
	S	420.0	575.00	753.0	69.5	73.5	428.0	112.5	325.0	39	1082.9	-10	655.1
	M	457.0	605.00	777.7	69.5	73.5	428.0	122.5	325.0	39	1113.6	-10	685.8
	L	508.0	630.00	815.2	69.5	73.5	428.0	142.5	325.0	39	1140.1	-10	712.3
	XL	560.0	650.00	851.5	69.5	73.5	428.0	157.5	325.0	39	1161.2	-10	733.4
<b>ZASKAR CARBON 9R</b>													
PRO													
	S	420.0	571.01	705.3	71	74.5	445.0	110	297.0	43	1073.06	65	636.2
	M	470.0	605.01	755.0	72	73.5	445.0	110	297.0	43	1085.99	65	649.0
	L	507.0	629.00	776.8	72	73.5	445.0	120	297.0	43	1110.17	65	673.1
	XL	545.0	645.00	808.3	72	73.0	445.0	130	297.0	43	1120.77	65	683.6
<b>ZASKAR ALLOY 9R</b>													
PRO / EXPERT / ELITE													
	S	420.0	571.01	708.6	71	74.5	445.0	110	297.0	45	1075.17	65	638.3
	M	471.0	604.00	750.6	72	73.5	445.0	110	297.0	45	1087.06	65	650.1
	L	507.0	629.00	779.9	72	73.5	445.0	120	297.0	45	1112.27	65	675.2
	XL	545.0	645.00	811.4	72	73.0	445.0	130	297.0	45	1122.87	65	685.7

# GEOMETRY

	(D)	(C)	(G)	(A)	(B)	(E)	(H)	(K)	(J)	(F)		
SIZE	SEAT TUBE LENGTH (MM)	HORIZ. TOP TUBE LENGTH (MM)	STAND OVER HEIGHT (MM)	HEAD ANGLE°	SEAT ANGLE°	CHAIN STAY LENGTH (MM)	HEAD TUBE LENGTH (MM)	BOTTOM BRACKET HEIGHT (MM)	FORK OFFSET (RAKE) (MM)	WHEEL BASE (MM)	DROP	FC
<b>ROAD / RACE</b>												
GTR CARBON TEAM / PRO / ELITE												
XS	470	525	733	72.5	74.5	410	110	268	45	970	70	581.7
S	490	535	748	73.0	74.0	410	120	268	45	973	70	577.8
M	510	545	767	73.0	73.5	410	140	268	45	978	70	583.0
L	530	560	776	73.0	73.5	410	160	270	45	995	65	588.9
XL	550	575	806	73.5	73.0	410	180	270	45	1000	70	600.3
XXL	570	590	824	73.5	72.5	410	200	270	45	1010	65	598.6
GTR SERIES ALLOY 2.0												
XS	470	525	733	72.5	74.5	410	110	268	45	970	70	583.0
S	490	535	748	73.0	74.0	410	120	268	45	973	70	578.5
M	510	545	767	73.0	73.5	410	140	268	45	978	70	583.0
L	530	560	776	73.0	73.5	410	160	270	45	995	65	588.5
XL	550	575	806	73.5	73.0	410	180	270	45	1000	65	598.0
XXL	570	590	824	73.5	72.5	410	200	270	45	1010	65	611.8
GTR CX1 CYCLOCROSS												
S	500.5	531.55	743.9	71.5	74.0	430.0	120	275.0	46	1007.31	65	585.9
M	540.0	556.60	777.6	71.5	74.0	430.0	135	275.0	46	1032.97	65	611.4
L	560.0	570.31	794.2	72.5	73.0	430.0	150	275.0	46	1028.20	65	606.6
XL	580.5	585.33	811.4	72.5	73.0	430.0	165	275.0	46	1043.33	65	621.7
GTR CX2 CYCLOCROSS												
XS	460.0	512.48	708.3	70	74.0	430.0	90	275.0	48	1001.90	65	580.5
S	500.5	531.53	746.8	71.5	74.0	430.0	120	275.0	48	1009.95	65	588.5
M	540.0	556.67	780.6	71.5	74.0	430.0	135	275.0	48	1035.69	65	614.1
L	560.0	570.35	797.4	72.5	73.0	430.0	150	275.0	48	1030.44	65	608.9
XL	580.5	585.34	814.7	72.5	73.0	430.0	165	275.0	48	1045.55	65	623.9
<b>ROAD / PERFORMANCE</b>												
GTR SERIES ALLOY 3.0 / 4.0 / 5.0												
XS	470	525	727.4	72	74.5	410.0	120	268.0	45	970.30	70	583.0
S	490	535	742.2	72.5	74.0	410.0	130	268.0	45	972.60	70	578.5
M	510	545	760.8	72.5	73.5	410.0	150	268.0	45	978.30	70	583.0
L	530	560	781.0	72.5	73.5	410.0	170	270.0	45	994.50	65	588.5
XL	550	575	800.4	73	73.0	410.0	190	270.0	45	1001.20	65	598.0
XXL	570	590	818.9	73	72.5	410.0	210	270.0	45	1009.80	65	611.8
<b>URBAN / SPORT</b>												
TRANSEO 1.0 / 2.0 / 3.0 / 4.0												
XS	406.0	545.00	631.2	70.5	74.0	450.0	155.00	273.0	50	1055.25	72	613.3
S	448.0	559.38	706.6	71	74.0	450.0	155.00	273.0	50	1064.49	72	624.5
M	492.0	572.14	741.7	72	74.0	450.0	155.00	273.0	50	1067.34	72	627.3
L	543.0	590.40	780.0	72	74.0	450.0	155.00	273.0	50	1085.51	72	645.3
XL	594.0	597.40	822.4	72	73.5	450.0	175.00	273.0	50	1087.63	72	647.4
XXL	644.0	608.88	865.7	72	73.5	450.0	205.00	273.0	50	1099.89	72	659.6
TRANSEO 4.0 (STEP-THROUGH)												
S	388.0	515.12	588.3	70.5	75.5	450.0	110.00	273.0	50	1041.28	72	601.4
M	432.0	543.73	587.9	71	74.0	450.0	110.00	273.0	50	1048.97	72	609.0
L	483.0	552.70	592.5	71	73.5	450.0	130.00	273.0	50	1053.45	72	613.5

# GEOMETRY

	(D)	(C)	(G)	(A)	(B)	(E)	(H)	(K)	(J)	(F)			
	SIZE	SEAT TUBE LENGTH (MM)	HORIZ. TOP TUBE LENGTH (MM)	STAND OVER HEIGHT (MM)	HEAD ANGLE°	SEAT ANGLE°	CHAIN STAY LENGTH (MM)	HEAD TUBE LENGTH (MM)	BOTTOM BRACKET HEIGHT (MM)	FORK OFFSET (RAKE) (MM)	WHEEL BASE (MM)	DROP	FC
<b>URBAN / CITY</b>													
TRAFFIC 18 INTERNAL-8	XS	370.0	535.00	687.0	71	74.0	445.0	135.00	292.0	45	1008.70	59	585.7
	S	420.0	550.00	726.0	71.5	74.0	445.0	150.00	292.0	45	1023.00	59	599.9
TRAFFIC 1.0 / 2.0 / 3.0 / 4.0	M	475.0	565.00	760.0	71.5	73.5	445.0	160.00	292.0	45	1051.30	59	613.0
	L	525.0	585.00	791.0	72	73.5	445.0	160.00	292.0	45	1068.70	59	630.4
	XL	580.0	590.00	830.0	72	73.0	445.0	175.00	292.0	45	1069.90	59	631.6
	XXL	630.0	605.00	865.0	72	73.0	445.0	195.00	292.0	45	1085.80	59	647.4
<b>URBAN / COMFORT</b>													
NOMAD 1.0 / 2.0	S	423.0	560.01	642.8	70.5	73.5	440.0	115.00	273.0	43.8	1049.80	72	619.9
	M	467.0	572.00	729.3	71.5	73.5	440.0	115.00	273.0	43.8	1051.14	72	621.3
	L	518.0	590.10	767.7	71.5	73.5	440.0	115.00	273.0	43.8	1069.13	72	639.1
	XL	569.0	599.95	810.0	71	73.0	440.0	135.00	273.0	43.8	1079.07	72	649.0
NOMAD 1.0 / 2.0 (STEP-THROUGH)	S	363.0	527.64	591.5	70.5	74.5	450.0	110.00	273.0	43.8	1038.47	72	598.6
	M	407.0	545.90	591.2	71	74.0	450.0	110.00	273.0	43.8	1046.04	72	606.1
	L	458.0	555.00	595.8	71	73.5	450.0	130.00	273.0	43.8	1050.38	72	610.4
LAGUNA 26"	S	356.0	530.00	591.3	70	74.0	436.0	100	300.0	45	1034.64	40	601.8
	M	407.0	542.28	592.8	70	74.0	436.0	115	300.0	45	1047.98	40	615.1
	L	457.0	541.16	595.7	70	74.0	436.0	130	300.0	45	1047.98	40	615.1
LAGUNA 24"	XS	375.0	522.86	516.1	70	73.0	410.0	95	275.0	40	990.31	25	581.6
LAGUNA 20"	XXS	280.0	460.77	500.0	69.5	71.0	380.0	105	254.0	38	889.97	10	510.2

	SIZE	SEAT TUBE LENGTH (MM)	ACTUAL TOP TUBE LENGTH (MM)	HORIZ. TOP TUBE LENGTH (MM)	STAND OVER HEIGHT (MM)	HEAD ANGLE°	SEAT ANGLE°	CHAIN STAY LENGTH (MM)	HEAD TUBE LENGTH (MM)	BOTTOM BRACKET HEIGHT (MM)	FORK OFFSET (RAKE) (MM)	WHEEL BASE (MM)	DROP	FC	AXLE TO CROWN
<b>BMX / ADULT</b>															
INTERCEPTOR 26"	U	305.00	552.50	585.80	675.60	72	70.0	424.00	114.00	299.50	38.2	1018.85	32	596.6	395.0
PERFORMER 26"	U	366.40	558.90	595.70	699.30	72	70.0	424.00	100.00	299.50	38.2	1028.50	32	606.6	396.0
<b>BMX / RACE</b>															
SPEED SERIES PRO XXL	U	210.00	533.40	560.49	571.00	74	72.0	368.30	127.00	273.00	33	957.45	-38	592.3	320.0
SPEED SERIES PRO XL	U	210.00	520.70	546.95	556.40	74	72.0	368.30	127.00	273.00	33	943.91	-38	578.8	320.0
SPEED SERIES PRO 26"	U	280.00	552.45	584.36	637.03	73	70.0	390.00	127.00	290.00	33	982.03	0	592.0	365.0
SPEED SERIES PRO 24"	U	230.00	520.70	545.21	639.82	73	71.0	387.00	127.00	277.30	33	944.35	12.7	557.7	365.0
SPEED SERIES PRO 20"	U	210.00	552.50	585.80	675.60	72	70.0	424.00	114.00	299.50	38.2	1018.85	32	596.6	395.0
SPEED SERIES EXPERT 24"	U	250.00	546.10	546.10	571.30	74	72.0	381.00	127.00	273.00	33	983.71	-38	605.8	320.0
SPEED SERIES EXPERT 20"	U	185.00	469.90	498.37	528.28	73	70.0	361.00	114.00	260.40	33	879.73	-25.4	520.3	300.0
SPEED SERIES JR. 24"	U	235.00	489.20	517.21	549.07	73	70.0	361.00	127.00	260.40	33	896.73	-25.4	537.2	320.0
SPEED SERIES JR. 20"	U	175.00	565.15	574.07	697.70	72	70.0	423.00	127.00	298.25	33	1004.08	31.75	602.2	395.0

# GEOMETRY

	SIZE	SEAT TUBE LENGTH (MM)	ACTUAL TOP TUBE LENGTH (MM)	HORIZ. TOP TUBE LENGTH (MM)	STAND OVER HEIGHT (MM)	HEAD ANGLE°	SEAT ANGLE°	CHAIN STAY LENGTH (MM)	HEAD TUBE LENGTH (MM)	BOTTOM BRACKET HEIGHT (MM)	FORK OFFSET (RAKE) (MM)	WHEEL BASE (MM)	DROP	FC	AXLE TO CROWN
<b>BMX / RACE</b>															
POWER SERIES PRO	U	233.00	520.70	548.50	568.80	74	72.0	363.00	100	290.50	32	939.70	-38	579.8	320.0
POWER SERIES 24	U	270.00	552.50	589.20	631.80	73	70.0	394.00	100	298.00	32	990.70	0	596.7	365.0
POWER SERIES XL	U	233.00	533.40	561.80	568.50	74	72.0	376.00	100	290.50	32	966.00	-38	593.2	320.0
POWER SERIES MICRO	U	200.00	412.80	435.00	500.20	72	71.0	316.00	100	250.80	33	786.30	-25.4	472.0	300.0
POWER SERIES MINI	U	200.00	431.80	457.10	539.90	72	70.0	329.00	89	279.40	33	813.7	-25.4	486.4	325.0
POWER SERIES JR.	U	200.00	469.90	499.60	549.20	73	70.0	342.00	89	285.90	33	861.40	-25.4	520.9	325.0
POWER SERIES EXPERT	U	200.00	489.20	520.10	553.20	73	70.0	342.00	89 V	285.90	33	881.20	-25.4	540.8	325.0
<b>BMX / UTILITY</b>															
MACH ONE PRO 24"	U	290.00	563.06	563.06	589.9	72	71.6	408.70	100	310.00	33.4	1005.28	-5	596.6	1005.28
MACH ONE PRO	U	242.00	521.58	521.58	530.2	73	71.0	371.00	100	304.50	33	925.61	-44.5	559.1	925.61
MACH ONE EXPERT / CB	U	235.00	483.14	483.14	478.4	73	71.0	355.00	90	260.00	33	859.36	0	504.4	859.36
MACH ONE JR. / CB	U	220.00	414.76	414.76	428.4	72	71.0	302.00	75	238.00	28	750.58	-35	452.0	750.58
MACH ONE MINI / CB	U	180.00	322.91	322.91	340.6	69	70.0	225.00	75	182.00	28	591.54	-30	369.8	591.54
<b>BMX / STREET</b>															
CHANNEL 21"	U	247.00	533.40	565.64	581.80	75	0.0	349.00	120.00	299.00	35	931.80	-45	587.4	320.0
CHANNEL 20.75"	U	222.30	527.05	558.70	579.00	75	0.0	349.00	114.00	299.00	35	923.30	-45	581.0	320.0
CHANNEL 20.5"	U	222.30	520.70	552.13	578.90	75	0.0	349.00	114.00	299.00	35	918.70	-45	574.4	320.0
PERFORMER 20"	U	236.00	527.00	558.50	577.90	74.5	71.0	347.00	114.00	299.00	38	930.00	-45	587.7	320.0
COMPE	U	236.00	520.70	551.90	577.90	74.5	71.0	347.00	114.00	299.00	38	923.50	-45	581.2	320.0
ZONE	U	236.00	520.70	551.70	571.30	74.5	71.0	347.00	100.00	299.00	38	923.50	-45	581.2	320.0
SLAMMER	U	236.00	508.00	538.40	571.30	74.5	71.0	347.00	100.00	299.00	38	910.20	-45	568.0	320.0
<b>BMX / DIRT</b>															
FUELER	U	236.00	533.60	566.10	581.40	75	71.0	348.00	127.00	299.00	35	930.50	-45	587.1	320.0
BUMP	U	236.00	527.00	558.50	577.90	74.5	71.0	347.00	114.00	299.00	38	930.00	-45	587.7	320.0
FLY 20"	U	236.00	520.70	551.90	577.90	74.5	71.0	347.00	114.00	299.00	38	923.50	-45	581.2	320.0
FLY 18"	U	177.80	457.20	486.10	508.30	73.5	70.0	315.00	114.00	266.60	38	825.90	-38	514.6	300.0
FLY 16"	U	177.80	419.10	447.10	475.70	73.5	70.0	292.00	114.00	241.20	38	765.50	-38	477.5	275.0
RICOCLET	U	236.00	520.70	551.70	571.30	74.5	71.0	347.00	100.00	299.00	38	923.50	-45	581.2	320.0
AIR	U	236.00	508.00	538.40	537.78	74.5	71.0	347.00	100.00	299.00	38	910.20	-45	568.0	320.0

# GEOMETRY

	(D)	(C)	(G)	(A)	(B)	(E)	(H)	(K)	(J)	(F)			
SIZE	SEAT TUBE LENGTH (MM)	HORIZ. TOP TUBE LENGTH (MM)	STAND OVER HEIGHT (MM)	HEAD ANGLE°	SEAT ANGLE°	CHAIN STAY LENGTH (MM)	HEAD TUBE LENGTH (MM)	BOTTOM BRACKET HEIGHT (MM)	FORK OFFSET (RAKE) (MM)	WHEEL BASE (MM)	DROP	FC	
<b>KIDS</b>													
ZASKAR 24" BOYS	U	311.0	525.0	652.1	71	73.0	410.0	110	273.0	38	984.10	30	576.0
ZASKAR 20" BOYS	U	254.0	483.2	557.3	71	68.5	375.0	110	254.2	40	879.00	-1.7	504.0
AGGRESSOR 24" BOYS	U	345.0	510.0	600.0	70	73.0	410.0	105	282.0	40	980.88	18	571.6
AGGRESSOR 20" BOYS	U	280.0	485.61	509.0	69.5	71.0	380.0	105	254.0	38	914.63	10	534.9
LAGUNA 24" GIRLS	U	375.0	522.86	516.1	70	73.0	410.0	95	275.0	40	990.31	25	581.6
LAGUNA 20" GIRLS	U	280.0	460.77	500.0	69.5	71.0	380.0	105	254.0	38	889.97	10	510.2
LAGUNA 16" GIRLS	U	218.0	429.94	425.5	72	65.2	310.00	90	206.5	23.4	719.77	0	409.8
LAGUNA 12" GIRLS	U	179.0	338.82	346.1	72	65.5	247.00	90	186.0	23.3	592.90	-30	349.0
<b>GTW</b>													
GTW SENSOR 2.0 / 4.0													
	XS	413.1	530.0	696.6	69.5	73.0	425.0	100	333.0	39	1031.77	0	606.8
	S	428.1	540.0	710.0	69.5	73.0	425.0	110	333.0	39	1042.41	0	617.4
	M	463.1	559.8	739.5	69.5	73.0	425.0	130	333.0	39	1063.49	0	638.5
	L	508.1	580.0	774.0	69.5	73.0	425.0	140	333.0	39	1084.33	0	659.3
GTW ZASKAR ALLOY 9R EXPERT													
	S	385.0	565.0	789.0	70.0	76.3	445.0	110	315.0	46.0	1079.0	25.2	640.4
	M	420.0	578.0	810.0	70.0	74.0	445.0	110	315.0	46.0	1092.0	25.2	652.8
	L	470.0	595.0	816.0	70.3	73.3	445.0	110	315.0	46.0	1098.0	25.2	675.2
GTW AVALANCHE 2.0 / 3.0 / 4.0													
	XS	370.0	506.0	746.2	69.5	74.5	420.0	120	301.0	39	1008.80	35	590.2
	S	396.0	527.0	758.1	69.5	74.5	420.0	120	301.0	39	1029.80	35	611.2
	M	423.0	538.0	777.8	69.5	74.5	420.0	135	301.0	39	1042.10	35	623.6
	L	466.0	573.0	804.9	69.5	74.5	420.0	150	301.0	39	1078.50	35	660.0
GTW GTR SERIES 3.0 / 4.0													
	S	470.0	525.0	739.4	72	74.5	410.0	140	268.0	45	970.30	71	586.5
	M	490.0	535.0	756.6	72.5	74.0	410.0	155	268.0	45	972.60	71	583.8
	L	510.0	545.0	770.4	72.5	73.5	410.0	165	268.0	45	978.30	68	591.5
GTW TACHYON 2.0 / 3.0													
	XS	360.0	536.72	632.6	70.5	74.5	435.0	115	275.0	50	1033.99	70	608.7
	S	390.0	541.68	661.3	70.5	74.0	435.0	130	275.0	50	1034.82	70	609.5
	M	420.0	552.29	693.2	70.5	73.5	435.0	160	275.0	45	1036.77	70	611.5
	L	450.0	565.75	726.2	71.5	73.0	435.0	190	275.0	45	1036.12	70	610.8